



ASH 170-H30 WASH PUMPS

1/4

Technical data ASH 170-H30

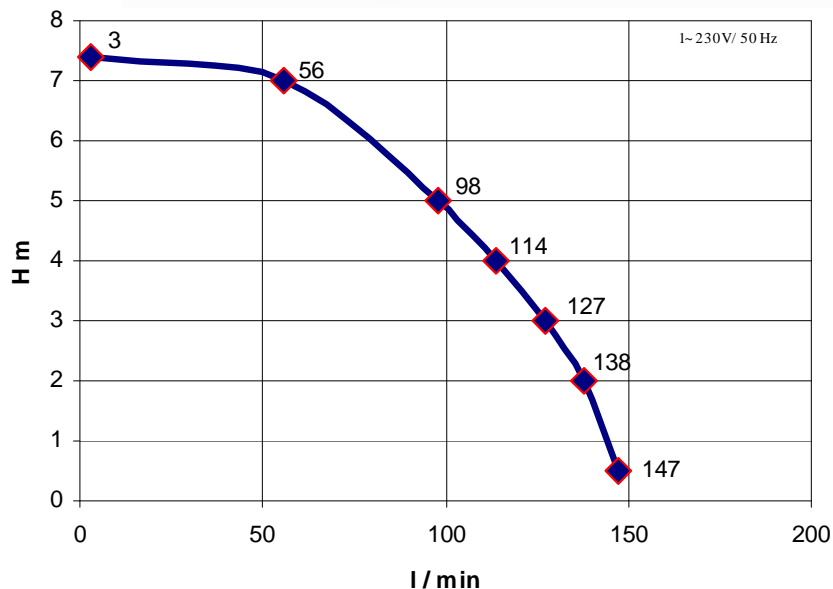
Motor power	P ₁ - kW	0,28
Tension / Frequency	Hz	~1/230/50
Power consumption	Amp	1,26
RPM		2800
Capacitor	μF	6
Thermal overload	°C	160
Protection class	IP	00
Insulation class		F

Construction data ASH 170-H30

Pump casing		PP 30GF
Impeller		NORYL 20GF
Motor shaft		AISI 416
Mechanical seal		carbon / ceramic

Dimensions ASH 170-H30

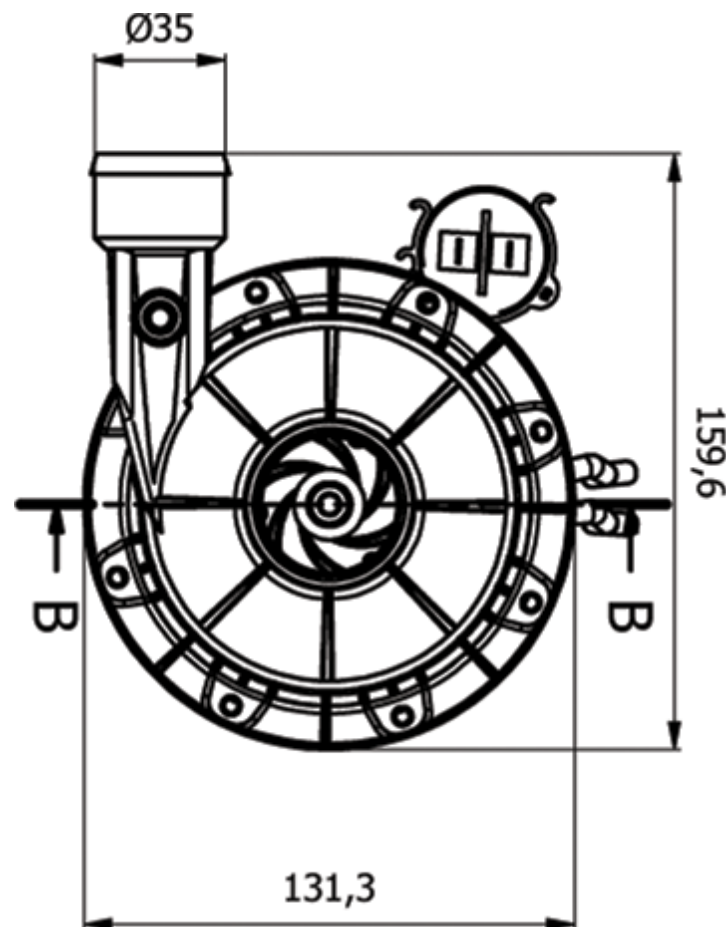
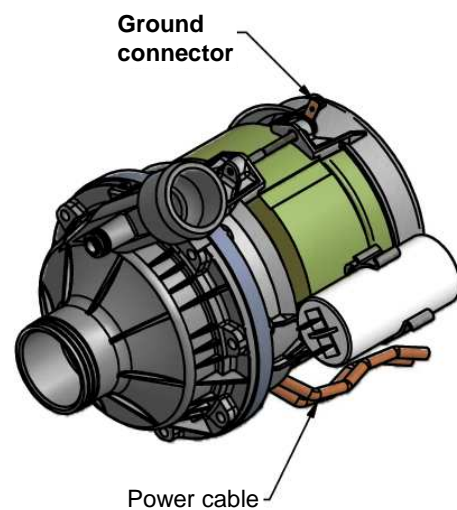
Suction side diameter	Ø mm	44,5
Pressure side diameter	Ø mm	35
Overall length	mm	see page nr. 3/4
Overall width	mm	131,3
Overall height	mm	159,6
Cable length	mm	95





ASH 170-H30 WASH PUMPS

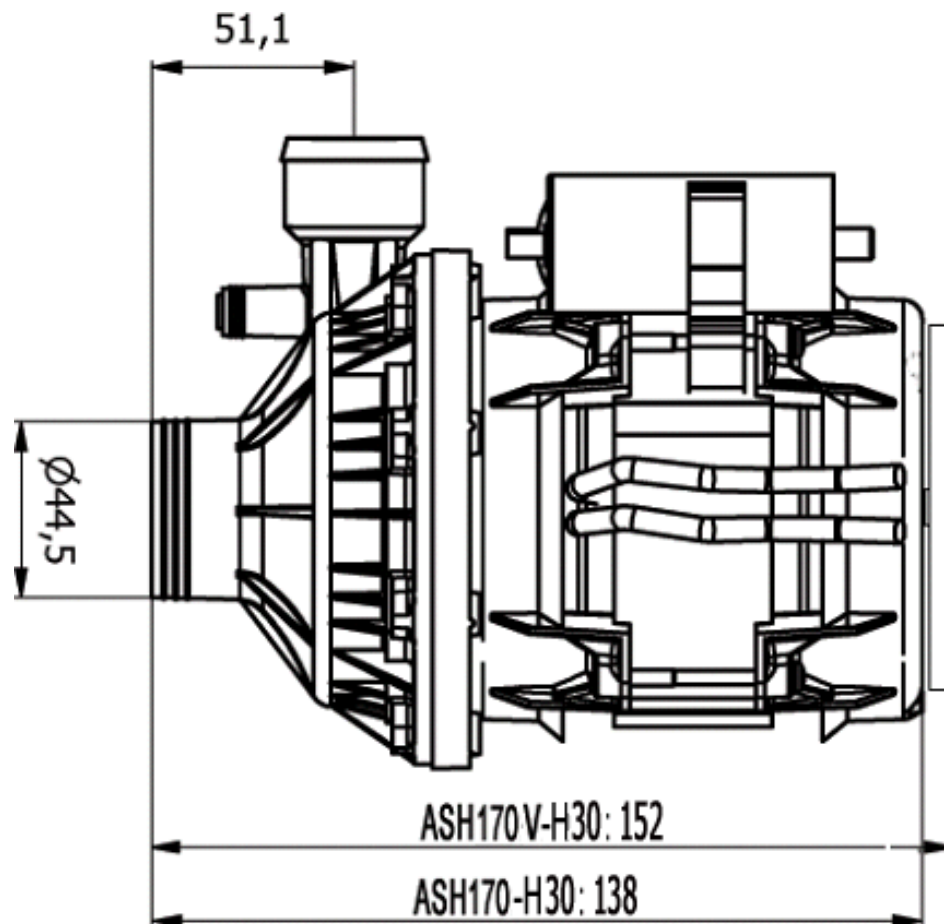
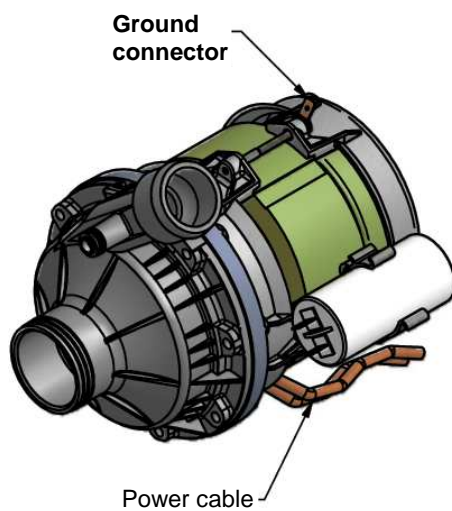
2/4





ASH 170-H30 WASH PUMPS

3/4





ASH 170-H30 WASH PUMPS

4/4

